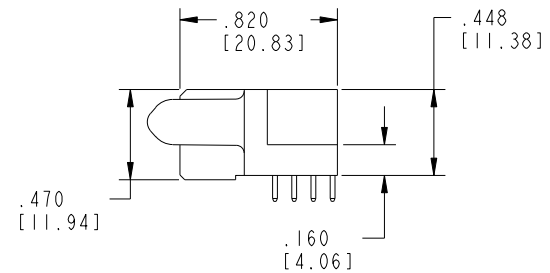
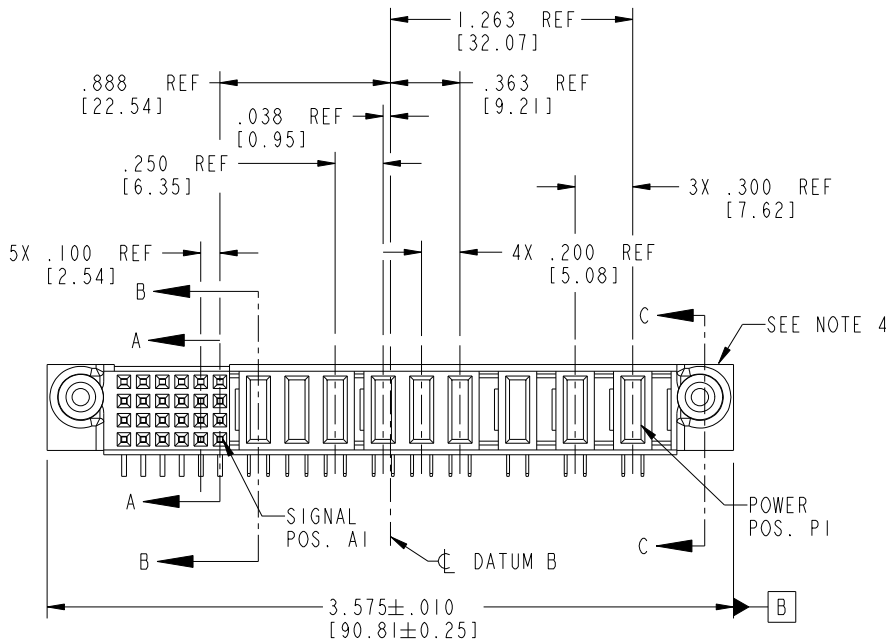


Tous droits strictement réservés. Reproduction ou communication a des tiers interdite sous quelque forme que ce soit sans autorisation écrite du propriétaire. Propriété de c FCI. Droits de reproduction FCI.



All rights strictly reserved. Reproduction or issue to third parties in any form whatever is not permitted without written authority from the proprietor. Property of FCI. Copyright FCI.

PRODUCT NO. 51866-025-- NOTE: ③	ROWS D C B A	SIGNAL					POWER							E1			
		E2	6	5	4	3	2	1	P9	P8	P7	P6	P5		P4	P3	P2
			H	H	H	H	H	PC	PC	PC	PC	PC	PC	PA	PC	PC	
			G	G	G	G	G										
			F	F	F	F	F										
			E	E	E	E	E										



CODE	DIM "M" MATING LENGTH	CONTACT TYPE
E	N/A [N/A]	SIGNAL
F	N/A [N/A]	SIGNAL
G	N/A [N/A]	SIGNAL
H	N/A [N/A]	SIGNAL
PA	.042 [1.07]	POWER
PC	.092 [2.34]	POWER

mat'l code				SEE NOTE 2		tolerances unless otherwise specified		CUSTOMER		FCI	
ltr	ecn no.	dr	date	linear	.XX±.01/0.X±0.3	projection		COPY		www.fciconnect.com	
A	V04-0145	TAB	02/17/04		.XXX±.005/0.XX±0.13	INCH/MM		title		9P + 24S	
B	V04-0242	DAI	03/09/04	angles	.XXX±.0020/0.XXX±0.051	scale		product family		R/A SOLDER RECEPTACLE	
C	V04-0271	TAB	03/26/04		0°±2°	1:1		PwrBlade		code	
D	DG05-0206	SJ	07/05/05	dr	T. BRUNGARD 02/17/04			size		213	
E	DG08-0251	W D	09/16/08	enrg	M. GRAY 02/17/04			dwg no		sheet	
				chr	M. GRAY 02/17/04			A 51866-025		1 of 4	
				oppd	M. GRAY 02/17/04						
sheet index	revision sheet	E	E	E	E						
		1	2	3	4						

Pro/E

PDM: Rev: E

STAT: Released

Printed: Sep 21, 2008

cage code 2556

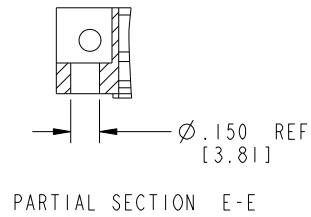
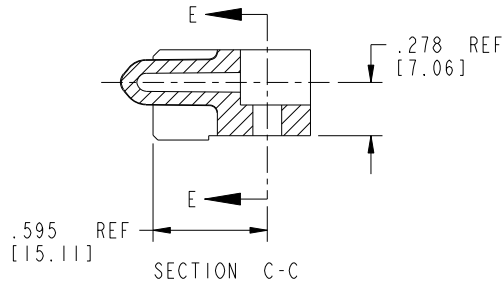
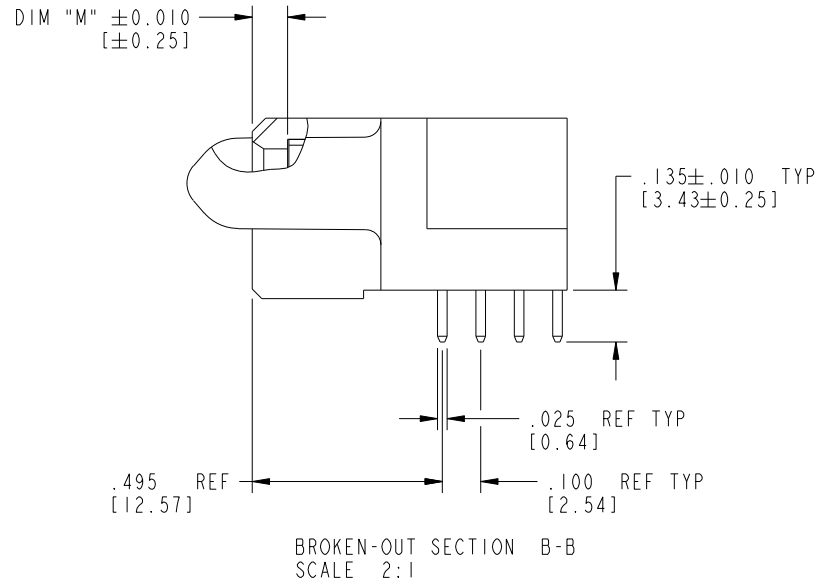
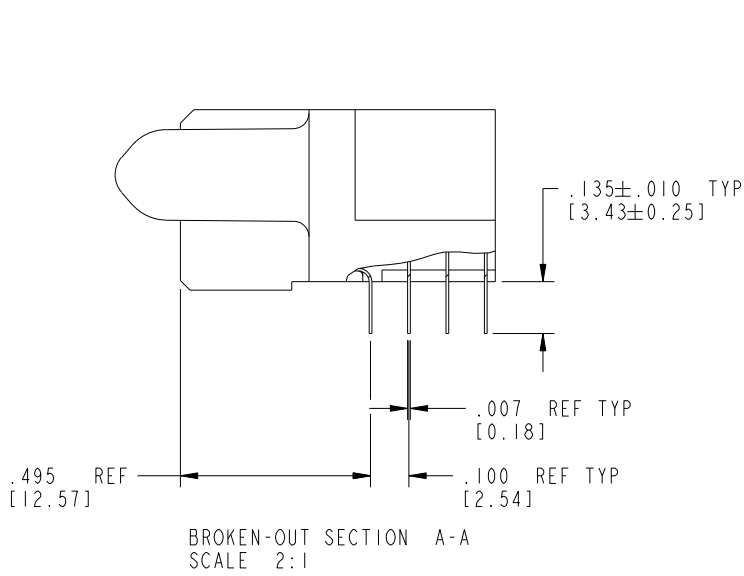
Tous droits strictement réservés. Reproduction ou communication a des tiers interdite sous quelque forme que ce soit sans autorisation écrite du propriétaire. Propriété de c FCI. Droits de reproduction FCI.



All rights strictly reserved. Reproduction or issue to third parties in any form whatever is not permitted without written authority from the proprietor. Property of FCI. Copyright FCI.

PRODUCT NUMBER

51866-025--  
NOTE: ③



mat'l code		SEE NOTE 2		tolerances unless otherwise specified		CUSTOMER		FCI	
lir	ecn no.	dr	date	linear	.XX±.01/0.X±0.3	COPY		www.fciconnect.com	
E				linear	.XXY±.005/0.XX±0.13	projection		title 9P + 24S	
				angles	.XXX±.002/0.XXX±0.051	INCH/MM		R/A SOLDER RECEPTACLE	
				dr	T. BRUNGARD 02/17/04	scale		product family PwrBlade code	
				engr	M. GRAY 02/17/04	1:1		size dwg no 213	
				chr	M. GRAY 02/17/04			sheet	
				appd	M. GRAY 02/17/04			2 of 4	
sheet index		revision sheet						A 51866-025	

Pro/E

PDM: Rev: E

STATUS: Released

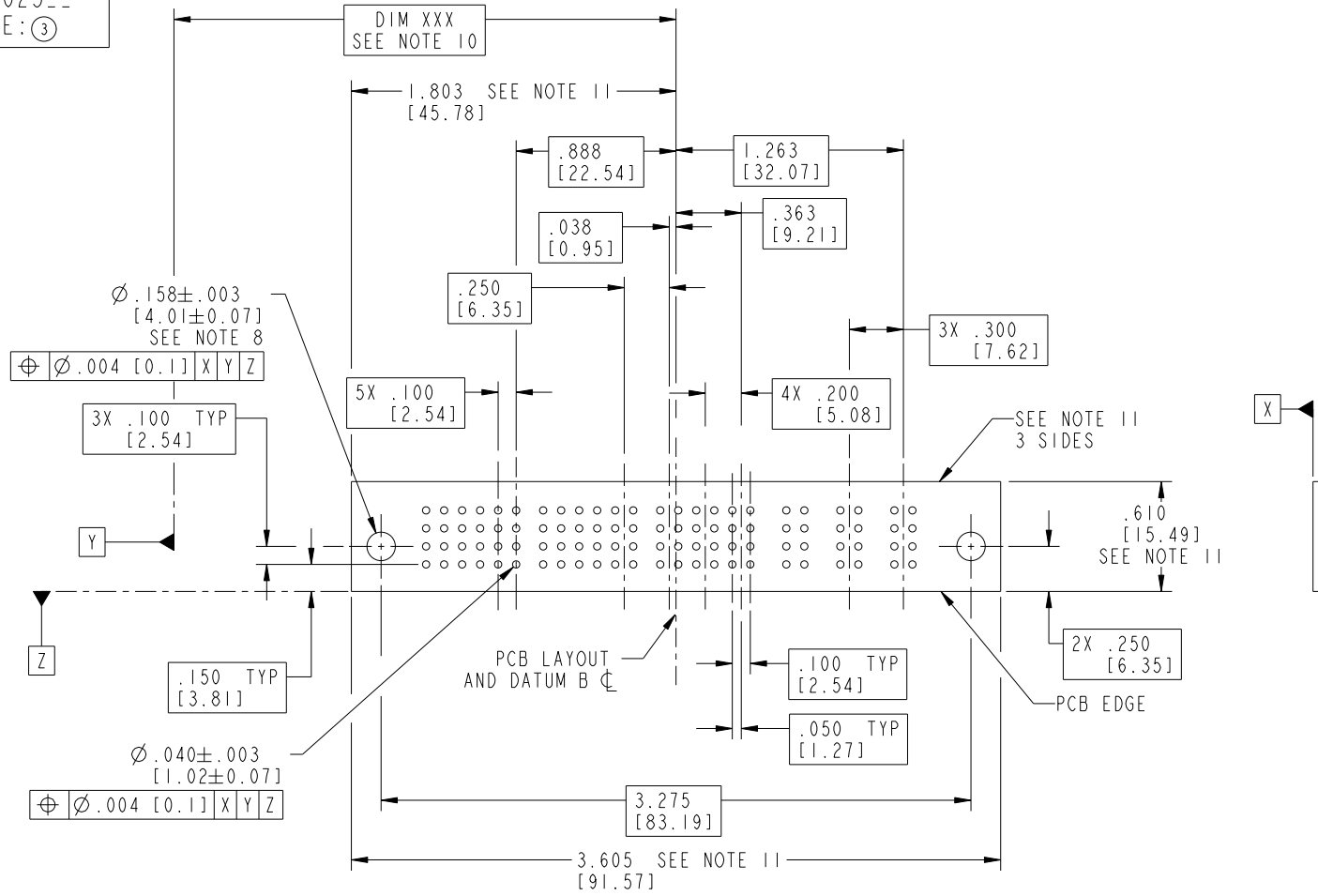
Printed: Sep 21, 2008

Tous droits strictement réservés. Reproduction ou communication a des tiers interdite sous quelque forme que ce soit sans autorisation écrite du propriétaire. Propriété de c FCI. Droits de reproduction FCI.

All rights strictly reserved. Reproduction or issue to third parties in any form whatever is not permitted without written authority from the proprietor. Property of FCI. Copyright FCI.



PRODUCT NUMBER  
51866-025--  
NOTE: ③



RECOMMENDED PCB LAYOUT

mat'l code		SEE NOTE 2		tolerances unless otherwise specified		CUSTOMER		 www.fciconnect.com	
ltr	ecn no.	dr	date	linear	.XX±.01/0.X±0.3	projection	title		
E				angles	.XXY±.005/0.XX±0.13		9P + 24S		
				dr	.XXX±.0020/0.XXX±0.051	INCH/MM	R/A SOLDER RECEPTACLE		
				engr	0° ± 2°	scale	product family		code
				chr	T. BRUNGARD 02/17/04	1:1	PwrBlade		213
				appd	M. GRAY 02/17/04		size	dwg no	sheet
sheet index	revision sheet						A	51866-025	3 of 4

code code 22516

Pro/E

PDM: Rev: E

STATUS: Released

Printed: Sep 21, 2008

PRODUCT NUMBER  
51866-025--  
NOTE: ③

NOTES:

1. DIMENSIONS AND TOLERANCES ARE IN ACCORDANCE WITH ASME Y14.5M, 1994 UNLESS OTHERWISE SPECIFIED.

CONNECTOR NOTES:

2. HOUSING MATERIAL: UL 94 V-0 GLASS FILLED HIGH-TEMP THERMOPLASTIC  
POWER CONTACT MATERIAL: COPPER ALLOY  
SIGNAL PIN MATERIAL: COPPER ALLOY

③ 3. SEE ITEM 5 & 6 IN PRINT 10064183 FOR PLATING SPEC OF 51866-025 AND 51866-025LF RESPECTIVELY.

4. MANUFACTURER'S NAME, P/N, AND DATE CODE TO APPEAR ON THIS SURFACE.

5. PRODUCT SPECIFICATION GS-12-149.  
APPLICATION SPECIFICATION BUS-20-067.

6. PACKAGED IN TRAYS.

PCB NOTES:

7. ALL HOLE DIAMETERS ARE FINISHED HOLE SIZE.

8. MOUNTING HOLES, WHERE APPLICABLE, ARE UNPLATED.

9.  $\varnothing .0453 \pm .0010$  [1.151 ± 0.025] DRILLED HOLES PLATED WITH  
.0003 [0.008] MIN SnPb OVER .001 [0.03]  
TO .003 [0.08] Cu PLATING TO ACHIEVE  
 $\varnothing .040 \pm .003$  [1.02 ± .07] HOLE.

10. "DIM XXX" TO BE DETERMINED BY THE CUSTOMER.

11. CONNECTOR KEEP-OUT ZONE.

12.  $\Delta$  SYMBOL WILL BE NEXT TO ANY DIMENSION, VIEW, OR NOTE WHICH HAS BEEN MODIFIED WITH THE CURRENT DRAWING REVISION.

mat'l code		SEE NOTE 2		tolerances unless otherwise specified		CUSTOMER		FCI		www.fciconnect.com	
ltr	ecn no.	dr	date	linear	.XX ± .01 / 0.X ± 0.3	projection	COPY		title		
E					.XXX ± .005 / 0.XX ± 0.13		9P + 24S		R/A SOLDER RECEPTACLE		
				angles	.XXX ± .0020 / 0.XXX ± 0.051		product family		PwrBlade		code
				dr	T. BRUNGARD 02/17/04		size		dwg no		213
				enrg	M. GRAY 02/17/04	INCH/MM	A		51866-025		sheet
				chr	M. GRAY 02/17/04	scale	1:1				4 of 4
				appd	M. GRAY 02/17/04						
sheet index		revision sheet									

Tous droits strictement réservés. Reproduction ou communication a des tiers interdite sous quelque forme que ce soit sans autorisation écrite du propriétaire. Propriété de c FCI. Droits de reproduction FCI.



All rights strictly reserved. Reproduction or issue to third parties in any form whatever is not permitted without written authority from the proprietor. Property of FCI. Copyright FCI.